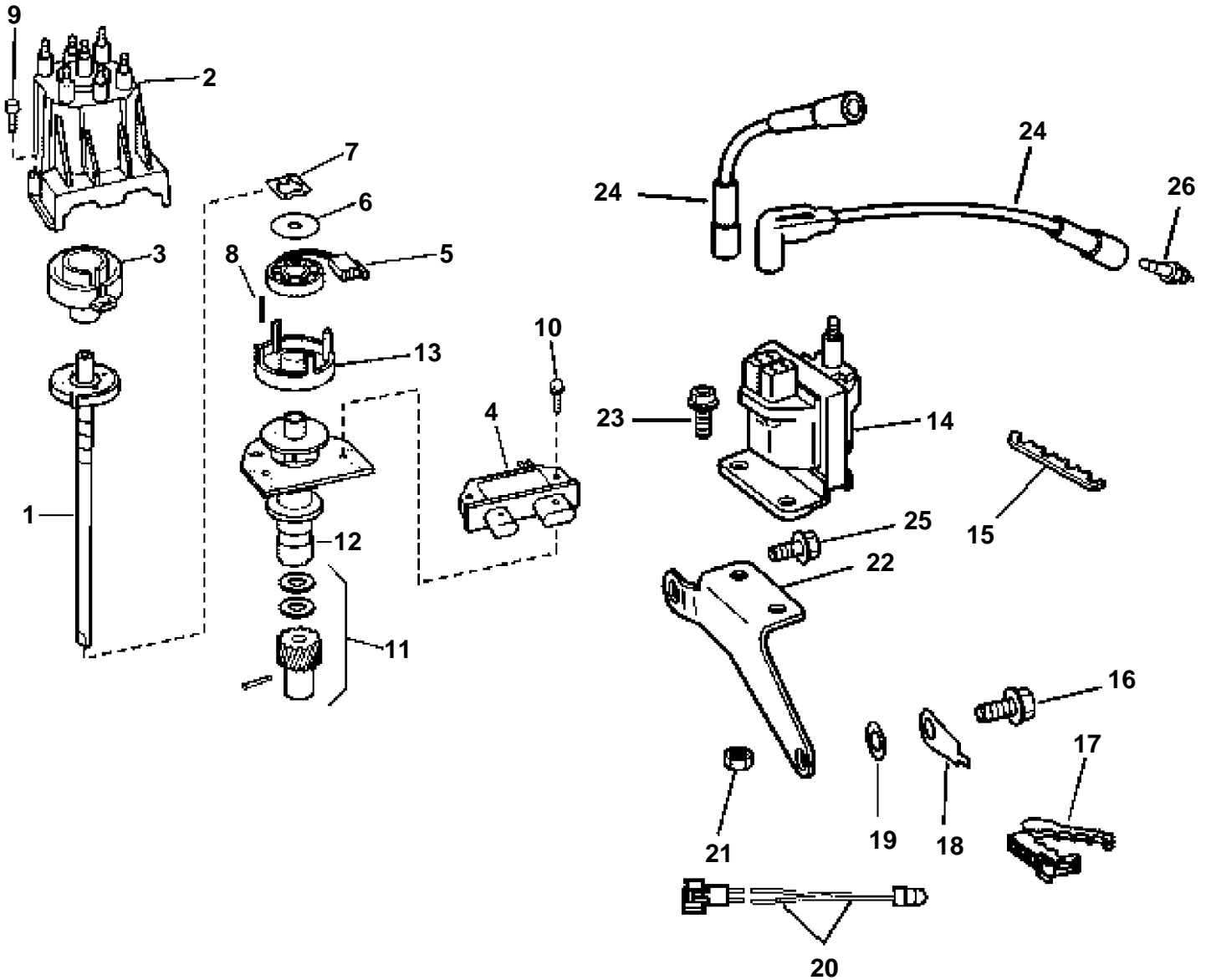


DISTRIBUTOR AND IGNITION COIL



GR71912

DISTRIBUTOR AND IGNITION COIL

REF	PART NO.	QTY	DESCRIPTION	NOTES
	3857400	1	Distributor, HEI	Not shown
1	3855596	1	· Shaft, Distributor	
2	3854548	1	· Distributor cap	
3	3854549	1	· Rotor	
4	3854003	1	· Module	
5	3854001	1	· Coil	
6	3854552	1	· Shield, Coil pickup	
7	3854308	1	· Shield	
8	3853316	1	· Locating pin, Locating	
9	3853318	2	· Screw, Cap	
10	3853319	2	· Screw, Module	
11	3854557	1	· Repair kit	
		1	· · TANG WASHER	
		1	· · WASHER	
		1	· · GEAR, Distributor	
		1	· · PIN	
12	3855597	1	· Housing	
13	3854267	1	· Pole shoe	
14	3854002	1	Ignition coil, Engine	
15	3852491	2	Retainer, 4 wire ignition leads	
16	3853389	1	Screw, Plug lead retainer brkt to cyl head	Rear, stbd
17	3852619	4	Retainer, Ignition leads	Gi
	3852619	5	Retainer, Ignition leads, 4 wire	GSi / DPX
18	3856052	2	Bracket, Lead retainer	Rear
	3856064	1	Bracket, Lead retainer, intake	Rear; stbd; GSi / DPX
	3856066	1	Bracket, Lead retainer, exhaust	Port
	3856067	1	Bracket, Lead retainer, exhaust	Stbd
19	3852116	1	Washer, Spacer, retainer, spark plug leads	
20	3854084	2	Cable, Distributor to ignition coil	
21	3852051	2	Nut, Ignition coil to bracket	
22	3856978	1	Bracket, Ignition coil	
23	3857448	2	Screw, Ignition coil to bracket	
24	3857169	1	Ignition cable kit	
25	3853154	1	Screw, Coil bracket to head	Right
26	3851857	1	Spark plug kit, 4 pack	Gi
	3851858	1	Spark plug kit, 24 pack	Gi
	3851861	1	Spark plug kit, 4 pack	GSi
	3851860	1	Spark plug kit, 24 pack	GSi
	3810235	1	Set	Not shown